

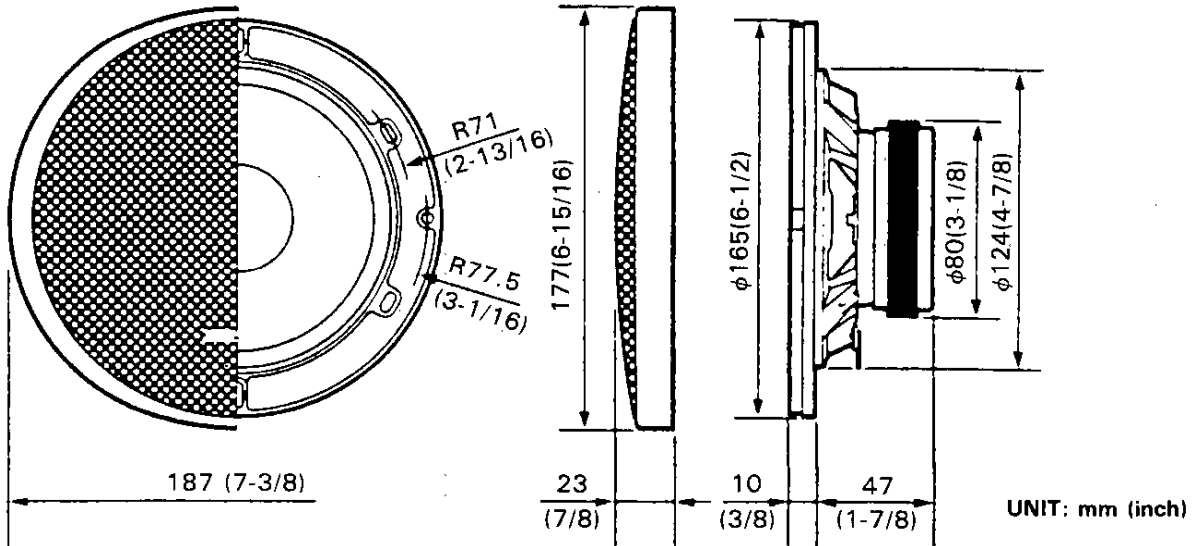
# KFC-W106

## SERVICE MANUAL




KENWOOD  
Q.C.

©1990-2 PRINTED IN JAPAN  
B51-6149-00(T) 1336

### EXTERNAL VIEW



### PARTS INCLUDED

-   $\phi 4 \times 30 (\phi \frac{3}{16} \times 1 \frac{3}{16})$  ..... X8
-  ..... X8
-  ..... X1

### PARTS LIST

★ New parts  
 Parts without **Parts No.** are not supplied.  
 Les articles non mentionnés dans le **Parts No.** ne sont pas fournis.  
 Teile ohne **Parts No.** werden nicht geliefert.

Ref No.	New Parts	Parts No.	Description
	★	B06-0382-02	GRILLE
	★	F09-0940-03	PROTECTOR
	★	N99-1134-04	SCREW SET
	★	T10-0450-03	SPEAKER
	★	490-0155-05	BUTYL RUBBER

### SPECIFICATIONS

- Speaker ..... 16 cm (6 in) PP  
Cone Type  
227 g (8 oz) Magnet
- Peak Power ..... 150 Watts
- Sensitivity ..... 89 dB/W at 1 m
- Frequency Response ..... 45 Hz ~ 8,000 Hz
- Impedance ..... 4 ohms
- Weight per speaker with Grille .... 0.9 kg (2 lb)/pc.

(KENWOOD follows a policy of continuous advancements in development.  
 For this reason specifications may be changed without notice.)

## KENWOOD CORPORATION

Shinogi Shibuya Building, 17-5, 2-chome Shibuya, Shibuya-ku, Tokyo 150, Japan

### KENWOOD U.S.A. CORPORATION

2201 East Dominguez Street, Long Beach, CA 90810,  
 550 Clark Drive, Mount Olive, NJ 07828, U.S.A.

### KENWOOD ELECTRONICS CANADA INC.

P.O. BOX 1075, 959 Gana Court, Mississauga, Ontario, Canada L4T 4C2

### TRIO-KENWOOD U.K. LTD.

KENWOOD House, Dwight Road, Watford, Herts., WD1 6BB United Kingdom

### KENWOOD ELECTRONICS BENELUX N.V.

Mechelsesteenweg 415 B-1930 Zaventem, Belgium

### KENWOOD ELECTRONICS DEUTSCHLAND GMBH

Rembrucker-Str. 15, 60556 Heusenstamm, West Germany

### TRIO-KENWOOD FRANCE S.A.

13 Boulevard Ney, 75018 Paris, France

### KENWOOD LINEAR S.p.A.

20125 MILANO-VIA ARBE, 50, ITALY

### KENWOOD ELECTRONICS AUSTRALIA PTY, LTD. (INCORPORATED IN NSW)

4E Woodcock Place, Lane Cove, N.S.W. 2066, Australia

### KENWOOD & LEE ELECTRONICS, LTD.

Wang Kee Building, 4th Floor, 34-37, Connaught Road, Central, Hong Kong